

Easidew Online

Dew-Point Hygrometer

A panel- or bench-mounting hygrometer with digital display, analog and digital outputs and dual alarm feature, offering excellent reliability and repeatability



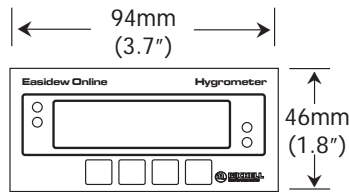
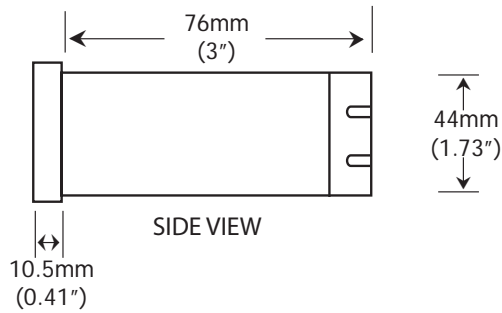
Highlights

- Dew point or ppm moisture content
- Analog and digital outputs
- IP66 (NEMA 4) sensor and IP65 (NEMA 12) Monitor (front panel only)
- Excellent sensor protection
- Dual alarms
- Clear and easy to read display

Applications

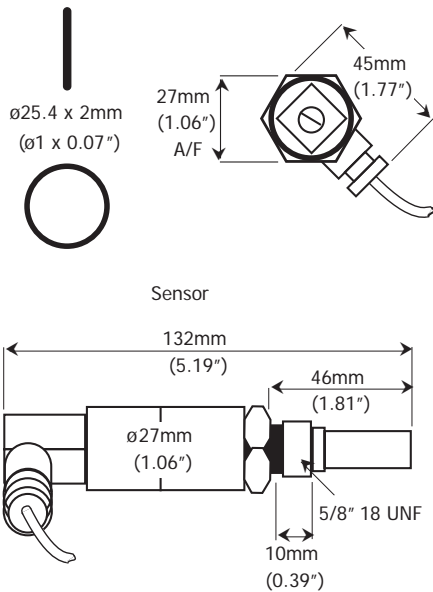
- Compressed air
- Membrane dryers
- Desiccant dryers
- Breathing air
- Hydrogen coolant
- Inert and bulk gases
- Glove boxes
- Welding gases
- Hazardous areas

Product Dimensions



Easidew Online Monitor

5/8" Bonded Seal



Easidew Sensor (Included)

Technical Specifications

Performance Specifications	
Measurement range	-100 to +20°C dew point 0-3000 ppm _v ppm _v output or non-standard dew-point range must be specified at time of order
Accuracy (dp)	±2°C dew point
Response time	5 mins to T95 (dry to wet)
Repeatability	0.5°C dew point
Electrical Specifications	
Output signals	4-20 or 0-20 mA, RS232
Supply voltage	85 to 264 V AC, 50/60 Hz
Load resistance	Max 250 Ω @ 12 V / 500 Ω @ 24 V
Current consumption	60 mA max
Operating Specifications	
Operating humidity	0-100% RH
Operating temperature	Monitor: 0 to 50°C Sensor: -40 to +60°C
Compensated Temperature Range:	-20 to +50°C NOTE: The transmitter accuracy statement is only valid for the temperature range: -20/+50°C
Storage Temperature:	Monitor: -40 to +85°C Sensor: -40 to +60°C
Mechanical Specifications	
Ingress protection	Monitor: IP65 (NEMA 12) front panel only Sensor: IP66 (NEMA 4)
Dimensions	Monitor: 1/8 DIN case, 96 x 48 x 85mm incl. clearance (w x h x d) Sensor: 132 x 27 A/F mm (length x diameter across hex flats)
Filter	HDPE
Weight	Monitor: ~210g Sensor: 150g
Electrical connections	Sensor cell supplied
Alarm	Front panel configuration of alarm points
Sensor cable	0.8m supplied as standard max 800m
Mains cable	2m cable supplied

Related Products



Easidew I.S.

Dew-Point transmitter for hazardous area applications



MDM50

Portable hygrometer



Easidew PRO X.P.

Advanced Wall Mount RH and Temperature Transmitter



Drycheck

Self-contained Dew-Point instrument

Michell Instruments Ltd, Rotronic Instruments Corp. 135 Engineers Road, Suite 150, Hauppauge NY 11788
Tel: 631 427 3898, Email: us.info@michell.com, Web: www.michell.com/us

Michell Instruments adopts a continuous development programme which sometimes necessitates specification changes without notice.
Issue No: Easidew Online_97167_V4_US_1117